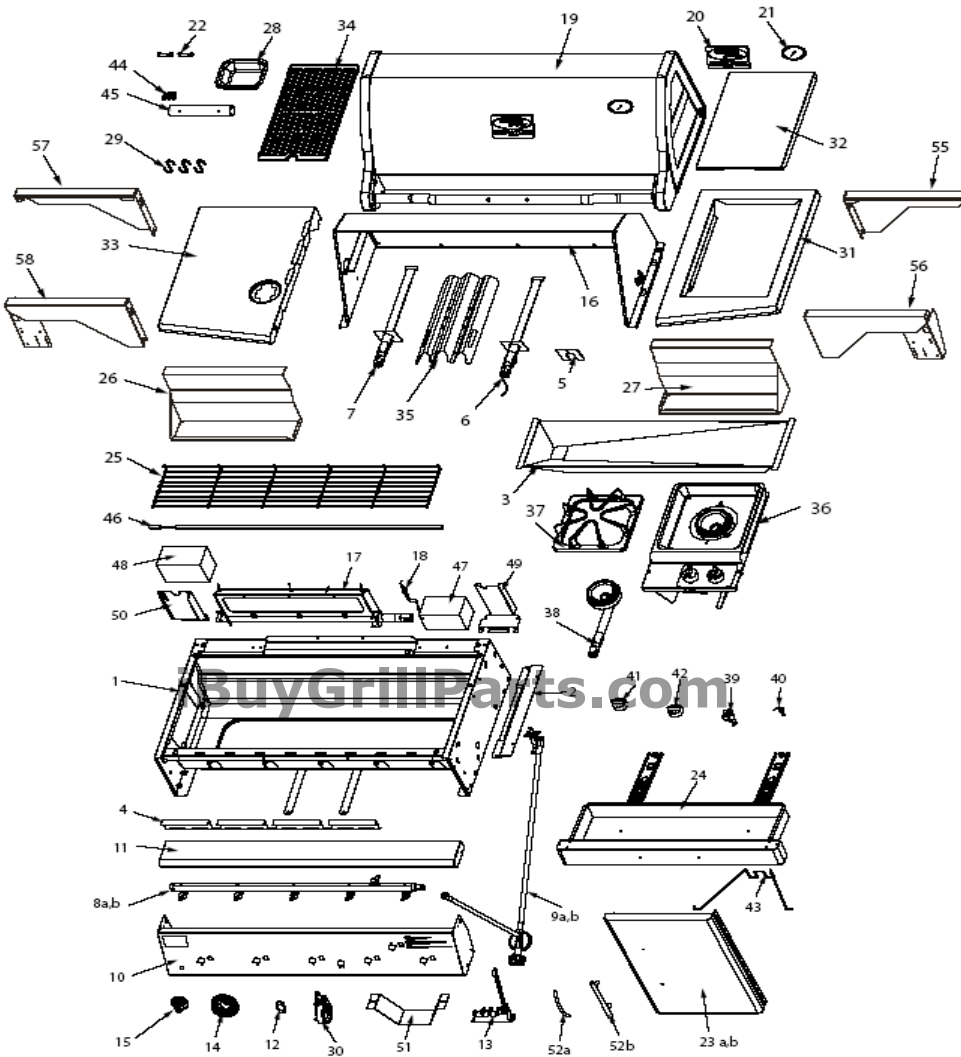




VCS5005/5010 (2005)

888-634-4289



iBuyGrillParts.com

888-634-4289



REPLACEMENT PARTS/ORDER FORM

Document #: 5005-10

VCS5005/5010 (2005)

888-634-4289

<input checked="" type="checkbox"/>	REF	DESCRIPTION	QTY	5005/5010
<input type="checkbox"/>	1	BASE ASSY - THROUGH DEALER ONLY	1	50003349
<input type="checkbox"/>	2	SUPPORT, GREASE PAN	2	50001844
<input type="checkbox"/>	3	GREASE PAN ASSY	1	50002157
<input type="checkbox"/>	4	FLASH TUBE	1	50000880B
<input type="checkbox"/>	5	BURNER GASKET	5	50000892
<input type="checkbox"/>	6	BURNER ASSY WITH LONG ELECTRODE	3	50003133
<input type="checkbox"/>	7	BURNER ASSY WITH SHORT ELECTRODE	2	50003100
<input type="checkbox"/>	8A	VALVE ASSY LP - THROUGH DEALER ONLY	1	50002826
<input type="checkbox"/>	8B	VALVE ASSY NG - THROUGH DEALER ONLY	1	50002827
<input type="checkbox"/>	9A	S. BURNER VALVE ASSY LP - DEALER ONLY	1	50002900
<input type="checkbox"/>	9B	S. BURNER VALVE ASSY NG - DEALER ONLY	1	50002901
<input type="checkbox"/>	10	CONSOLE	1	50003073
<input type="checkbox"/>	11	CONSOLE REINFORCEMENT	1	50003024
<input type="checkbox"/>	12	IGNITER PLATE	1	50002533
<input type="checkbox"/>	13	IGNITOR MODULE - Push button not included	1	50001619
<input type="checkbox"/>	14	BEZEL ASSY - BACKLIT	6	50003002
<input type="checkbox"/>	15	KNOB ASSY - BACKLIT	6	50003003
<input type="checkbox"/>	16	REAR LID ASSY - Also send p/n 50000355.	1	50003516
<input type="checkbox"/>	17	ROTISSERIE BURNER ASSY	1	50003130
<input type="checkbox"/>	18	ROTISSERIE ELECTRODE	1	50003129
<input type="checkbox"/>	19A	LID ASSY FOR VC5005 - STAINLESS STEEL **	1	50003070
<input type="checkbox"/>	19B	LID ASSY FOR VC5010 - BLACK **	1	50003218
** NOTE: ORDER P/N 50000355 WITH ALL LID ASSEMBLIES.				
<input type="checkbox"/>	20	LOGO	1	50002798
<input type="checkbox"/>	21	TEMPERATURE GAUGE	1	50001643
<input type="checkbox"/>	22	PIVOT PIN & BOLT SET Send with lid assembly.	1	50000355
<input type="checkbox"/>	23A	DOOR ASSY - RIGHT	1	50003026
<input type="checkbox"/>	23B	DOOR ASSY - LEFT	1	50003051
<input type="checkbox"/>	24	DRAWER ASSY	1	50003029
<input type="checkbox"/>	25	WARMING RACK, ENAMEL	1	50000889
<input type="checkbox"/>	26	CONDIMENT TRAY - LEFT	1	50003304
<input type="checkbox"/>	27	CONDIMENT TRAY - RIGHT	1	50003282
<input type="checkbox"/>	28	GREASE CUP, DRAWN	1	50001845
<input type="checkbox"/>	29	UTENSIL HOOK - 3 PER SIDE (PACK OF 3)	2	50003011
<input checked="" type="checkbox"/>	REF	DESCRIPTION	QTY	5005/5010



REPLACEMENT PARTS/ORDER FORM

Document #: 5005-10

VCS5005/5010 (2005)

888-634-4289

<input type="checkbox"/>	30	CASTER 3" X 7/8"	4	50003068
<input type="checkbox"/>	31	RIGHT SHELF (SIDE BURNER)	1	50003330
<input type="checkbox"/>	32	SIDE BURNER LID ASSY	1	50003059
<input type="checkbox"/>	33	LEFT SHELF (SOLID)	1	50003333
<input type="checkbox"/>	34	COOKING GRID - ENAMEL (PACK OF 4)	1	50001227
<input type="checkbox"/>	35	HEAT PLATE - S/S	5	50000777
<input type="checkbox"/>	36	SIDE BURNER ASSY (COMPLETE)	1	50003043M
<input type="checkbox"/>	37	SIDE BURNER GRATE	1	50001035
<input type="checkbox"/>	38	SIDE BURNER - BURNER	1	50001044
<input type="checkbox"/>	39	SIDE BURNER IGNITOR - ROTARY	1	50000111
<input type="checkbox"/>	40	SIDE BURNER ELECTRODE	1	50000115
<input type="checkbox"/>	41	SIDE BURNER CONTROL KNOB	1	50000113
<input type="checkbox"/>	42	SIDE BURNER IGNITOR KNOB	1	50000070
<input type="checkbox"/>	43	CYLINDER RETAINER - LP MODELS ONLY	1	50002888
<input type="checkbox"/>	44	LID BUMPERS (SET OF 6)	1	50000365
<input type="checkbox"/>	45	HANDLE GRIP SET - CHARCOAL	1	50000642
<input type="checkbox"/>	46	SPIT ROD (38" LONG)	1	50000962
<input type="checkbox"/>	47	ROTISSERIE FORK KIT	1	50000287
<input type="checkbox"/>	48	ROTISSERIE MOTOR	1	50000161
<input type="checkbox"/>	49	ROTISSERIE SPIT ROD SUPPORT	1	50000399
<input type="checkbox"/>	50	ROTISSERIE MOTOR BRACKET	1	50003115
<input type="checkbox"/>	51	STABILIZER BRACKET ASSY	1	50003198
<input type="checkbox"/>	52	DOOR HANDLE ROUND	3	50003208
<input type="checkbox"/>	53	HARNESS - BACKLIT KNOB	1	50003000
<input type="checkbox"/>	54	HARNESS - SHELF LIGHT	1	50003105
<input type="checkbox"/>	55	REAR TABLE SUPPORT - RIGHT	1	50001419
<input type="checkbox"/>	56	FRONT TABLE SUPPORT - RIGHT	1	50003314
<input type="checkbox"/>	57	REAR TABLE SUPPORT - LEFT	1	50001418
<input type="checkbox"/>	58	FRONT TABLE SUPPORT - LEFT	1	50003315
<input type="checkbox"/>	NS	IGNITOR - PUSH BUTTON	1	50001011
<input type="checkbox"/>	NS	BBQ COVER	1	VCDC5S

iBuyGrillParts.com

888-634-4289