

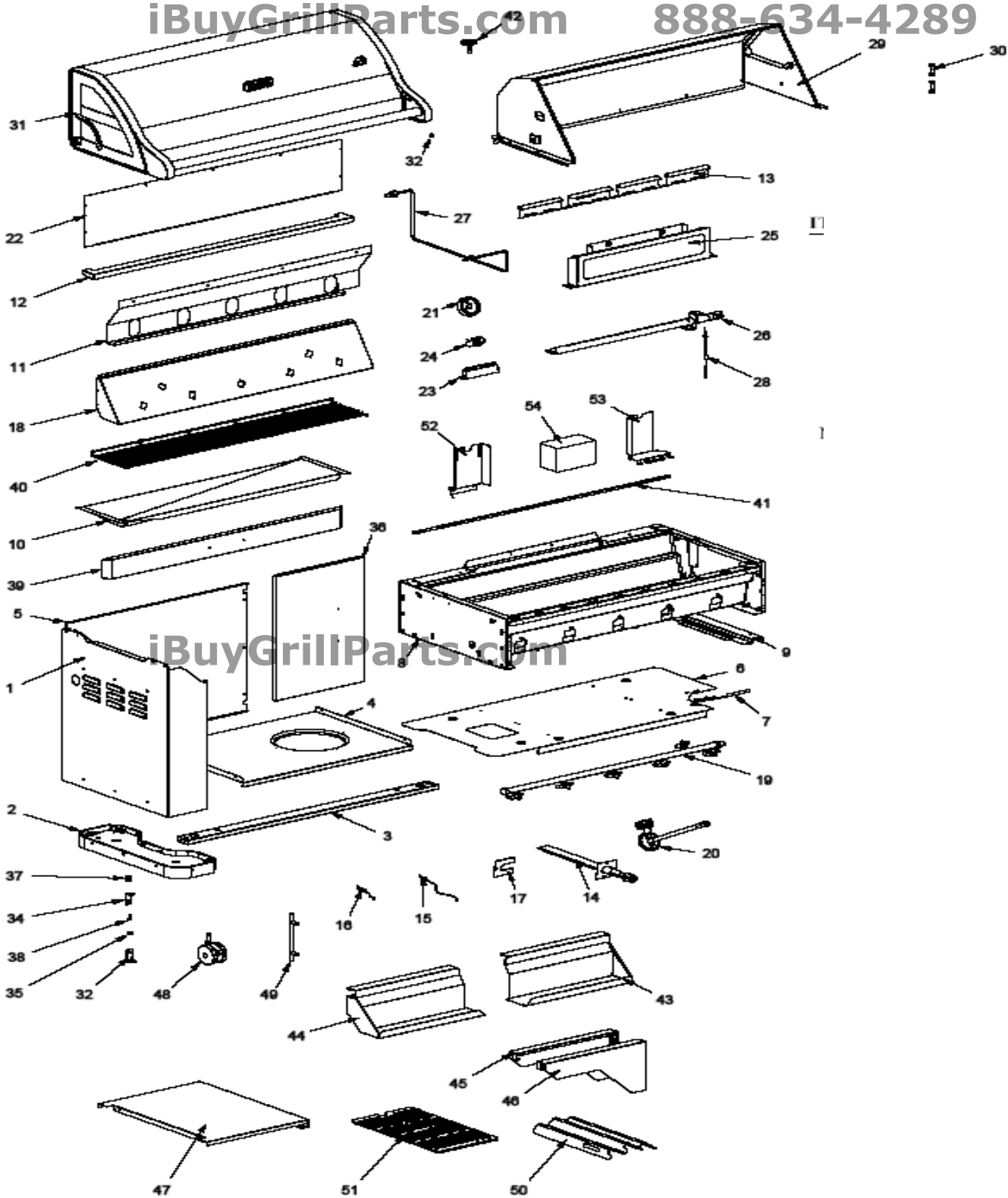


PARTS ORDER FORM

Doc # VC9085B

iBuyGrillParts.com

888-634-4289



iBuyGrillParts.com

888-634-4289



PARTS ORDER FORM

Doc # VC9085B

<input checked="" type="checkbox"/>	REF	DESCRIPTION	QTY	PART #
<input type="checkbox"/>	1	CABINET END - BLACK	2	50001929
<input type="checkbox"/>	2	CABINET FORM - BLACK	4	50002198
<input type="checkbox"/>	3	STRUT	3	50001841
<input type="checkbox"/>	4	PANEL TANK	1	50001936
<input type="checkbox"/>	5	PANEL BACK	1	50001879
<input type="checkbox"/>	6	HEAT SHIELD CABINET	1	50001877B
<input type="checkbox"/>	7	HEAT SHIELD HOSE	1	50001817
<input type="checkbox"/>	8	BASE ASSY - NEEDS MANAGER APPROVAL	1	50001816
<input type="checkbox"/>	9	GREASE PAN SUPPORT	2	50001844B
<input type="checkbox"/>	10	GREASE PAN ASSY	1	50002157
<input type="checkbox"/>	NS	GREASE CUP - SALE ONLY (Wear & tear item)	1	50001845
<input type="checkbox"/>	11	HEAT SHIELD	1	50000857B
<input type="checkbox"/>	12	FRONT LIP	1	50001819B
<input type="checkbox"/>	13	FLASH TUBE	1	50000880B
<input type="checkbox"/>		BURNER TUBE with SHORT ELECTRODE	2	50003100
<input type="checkbox"/>		BURNER TUBE with LONG ELECTRODE	3	50003133
<input type="checkbox"/>	NS	BURNER REPAIR KIT - to be sent out when the base assembly has rusted through at the point of attachment with the burner.	1	50003457
<input type="checkbox"/>	15	ELECTRODE MAIN LONG	3	50000523
<input type="checkbox"/>	16	ELECTRODE MAIN SHORT	2	50000431
<input type="checkbox"/>	17	BURNER GASKET	5	50000892
<input type="checkbox"/>	18	CONSOLE ASSY	1	50001223
<input type="checkbox"/>	19A	VALVE ASSY - LP - NEEDS TECH APPROVAL	1	50000803
<input type="checkbox"/>	19B	VALVE ASSY - NG - NEEDS TECH APPROVAL	1	50000852
<input type="checkbox"/>	20A	REGULATOR, SINGLE - 24" LONG	1	50002127
<input type="checkbox"/>	20C	HOSE 12' - NG	1	50000198
<input type="checkbox"/>	21	BEZEL	6	50001327
<input type="checkbox"/>	22	PANEL, UPPER REAR	1	50000854
<input checked="" type="checkbox"/>	REF	DESCRIPTION	QTY	PART #
<input type="checkbox"/>	23	IGNITOR MODULE (Push button NOT included)	1	50001619
<input type="checkbox"/>	24	IGNITOR PUSH BUTTON (send with 50001619)	1	50001011



PARTS ORDER FORM

Doc # VC9085B

<input type="checkbox"/>	25	ROTISSERIE HOUSING/SCREEN ASSY	1	50000961
<input type="checkbox"/>	26	BURNER ASSY - ROTISSERIE	1	50000875
<input type="checkbox"/>	28	ELECTRODE ROTISSERIE	1	50003129
<input type="checkbox"/>	29	LID ASSY REAR - Also send p/n 50000355 .	1	50003516
<input type="checkbox"/>	30	PIVOT PIN & BOLT SET - Send with lid assembly	1	50000355
<input type="checkbox"/>	31	LID ASSY FRONT - Also send p/n 50000355 .	1	50000861
<input type="checkbox"/>	32	LID BUMPERS	6	50000177
<input type="checkbox"/>	33	BRACKET, LOWER DOOR ASSY PIVOT	2	50002034B
<input type="checkbox"/>	34	BRACKET; UPPER DOOR - OBSOLETE	2	50002032B
<input type="checkbox"/>	35	1/4" NYLON WASHER	2	50002029
<input type="checkbox"/>	36	DOOR ASSY S/S - PIVOTED	2	50002036
<input type="checkbox"/>	37	ANCHOR NUT	2	50000326
<input type="checkbox"/>	38	SHOULDER SCREW #8-15 PAN QUAD X 5/8	2	50000191
<input type="checkbox"/>	39	FRONT WARMING DRAWER ASSY	1	50001942
<input type="checkbox"/>	40	WARMING RACK (ENAMEL) - Not warrantied against chipping, scratching or rust (must chip to rust).	1	50000889
<input type="checkbox"/>	41	SPIT ROD	1	50000962
<input type="checkbox"/>	42	TEMPERATURE GAUGE	1	50001643
<input type="checkbox"/>	43	SHELF, FRONT RIGHT S/S	1	50000984B
<input type="checkbox"/>	44	SHELF, FRONT LEFT S/S	1	50000986B
<input type="checkbox"/>	45	SUPPORT SHELF BLACK - Left rear & right front	2	50001418
<input type="checkbox"/>	46	SUPPORT SHELF BLACK - Right rear & left front	2	50001419
<input type="checkbox"/>	47A	SHELF TOP SOLID S/S	2	50001413B
<input type="checkbox"/>	48	CASTER	4	50000090
<input type="checkbox"/>	49	DOOR HANDLE, DELUXE	3	50000313
<input type="checkbox"/>	50	HEAT PLATE S/S	5	50000777
✓	REF	DESCRIPTION	QTY	PART #
<input type="checkbox"/>	51	COOKING GRIDS (PACK OF 4 ONLY) - Not warrantied against chipping, scratching or rust (must chip to rust).	1	50001227
<input type="checkbox"/>	52	ROTISSERIE BRACKET MOTOR	1	50000885



PARTS ORDER FORM

Doc # VC9085B

<input type="checkbox"/>	CONSOLE REPAIR KIT - to be sent out to the customer if they complain that the cooking grids are falling into the tub. Attaches to the back of the tub.	1	50003433
<input type="checkbox"/>	BBQ COVER - SALE ITEM	1	VC303-3666
<input type="checkbox"/>	ROTISSERIE - NEED TO SEND THE SPIT ROD WITH THIS ITEM, P/N 50000962.	1	50003116
<input type="checkbox"/>	SPIT ROD (SEND WITH ABOVE)	1	50000962
<input type="checkbox"/>	➔ TOTAL ROTISSERIE COST		BOTH
<input type="checkbox"/>	GRIDDLE - replaces one cooking grid. SALE ITEM.	1	VCGP1A

iBuyGrillParts.com

iBuyGrillParts.com

888-634-4289