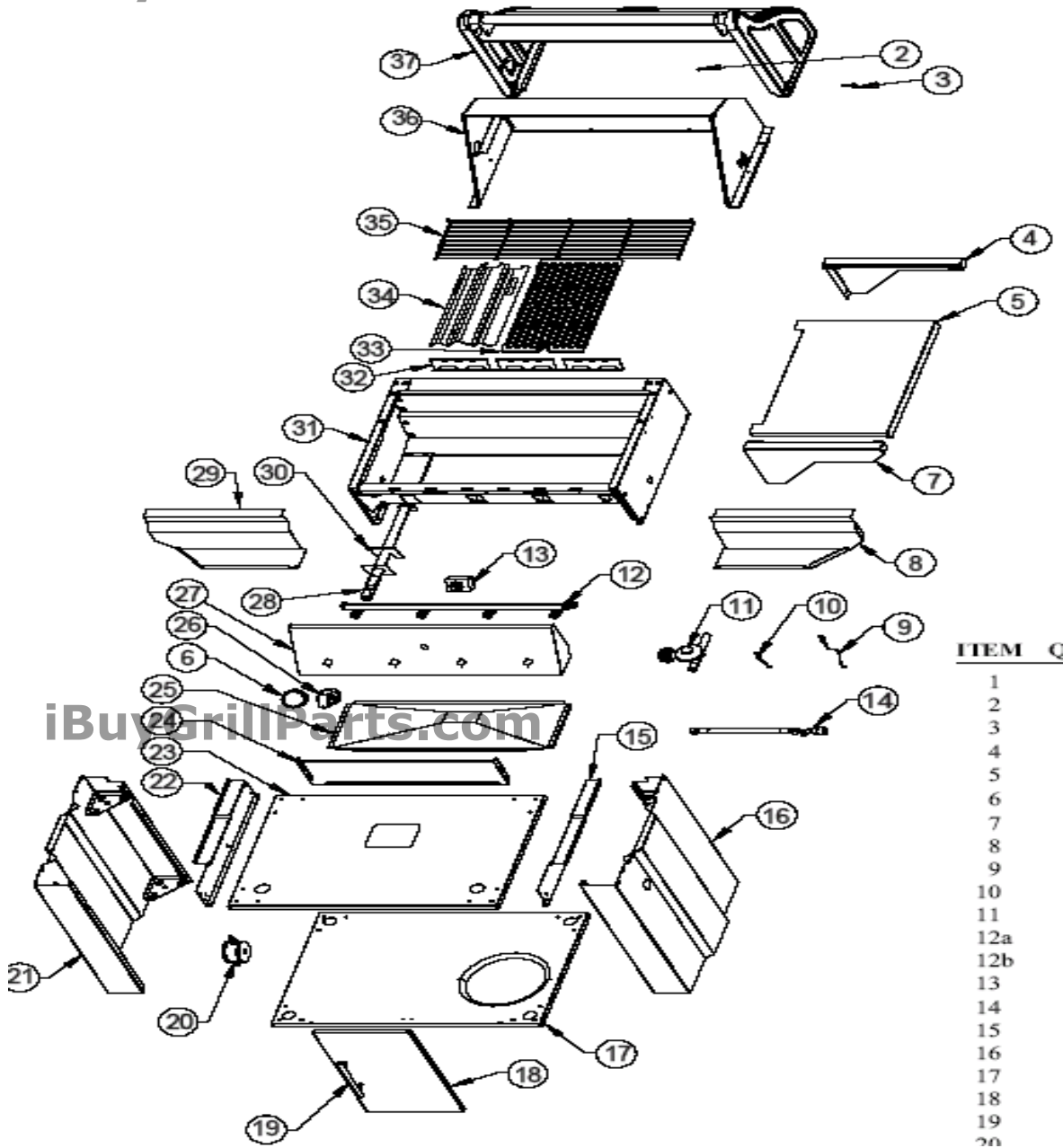


iBuyGrillParts.com

888-634-4289



| ITEM | Q |
|------|---|
| 1 | |
| 2 | |
| 3 | |
| 4 | |
| 5 | |
| 6 | |
| 7 | |
| 8 | |
| 9 | |
| 10 | |
| 11 | |
| 12a | |
| 12b | |
| 13 | |
| 14 | |
| 15 | |
| 16 | |
| 17 | |
| 18 | |
| 19 | |
| 20 | |
| 21 | |

iBuyGrillParts.com

888-634-4289



PARTS ORDER FORM

Doc # VC9055A

| <input checked="" type="checkbox"/> | REF | DESCRIPTION | QTY | PART # |
|-------------------------------------|-----|--|-----|--|
| <input type="checkbox"/> | 1 | TEMPERATURE GAUGE | 1 | 50001643 |
| <input type="checkbox"/> | 2 | LID BUMPER | 4 | 50000177 |
| <input type="checkbox"/> | 3 | PIVOT PIN & BOLT SET - Send with lid assembly | 1 | 50000355 |
| <input type="checkbox"/> | 5 | SHELF TOP | 2 | 50001413B |
| <input type="checkbox"/> | 6 | KNOB BEZEL | 4 | 50001327 |
| <input type="checkbox"/> | 7 | SUPPORT SHELF BLACK - Left rear & right front | 2 | 50001418 |
| <input type="checkbox"/> | | SUPPORT SHELF BLACK - Right rear & left front | 2 | 50001419 |
| <input type="checkbox"/> | 8 | SHELF S/S - FRONT RIGHT | 1 | 50000984B |
| <input type="checkbox"/> | 9 | ELECTRODE MAIN LONG | 2 | 50000523 |
| <input type="checkbox"/> | 10 | ELECTRODE MAIN SHORT | 2 | 50000431 |
| <input type="checkbox"/> | 11 | REGULATOR - LP | 1 | 50001456 |
| <input type="checkbox"/> | 12A | VALVE ASSY - LP - NEEDS TECH APPROVAL | 1 | 50000801 |
| <input type="checkbox"/> | 12B | VALVE ASSY - NG - NEEDS TECH APPROVAL | 1 | 50000850 |
| <input type="checkbox"/> | 13 | IGNITOR KIT (Push Button Included) | 1 | 50000816 |
| <input type="checkbox"/> | 14 | 12' HOSE - NG | 1 | 50000198 |
| <input type="checkbox"/> | 15 | DRAWER SUPPORT RIGHT | 1 | 50001221 |
| <input type="checkbox"/> | 16 | CABINET END ASSY RIGHT | 1 | 50000785 |
| <input type="checkbox"/> | 17 | CABINET PANEL - LOWER | 1 | 50001339 |
| <input type="checkbox"/> | 18 | DOOR | 2 | 50001467B |
| <input type="checkbox"/> | 19 | DOOR HANDLE | 2 | 50000313 |
| <input type="checkbox"/> | 20 | CASTER (POP IN) | 4 | 50000090 |
| <input type="checkbox"/> | 21 | CABINET END ASSY LEFT | 1 | 50000784 |
| <input type="checkbox"/> | 22 | DRAWER SUPPORT LEFT | 1 | 50001222 |
| <input type="checkbox"/> | 23 | CABINET PANEL UPPER | 1 | 50000788 |
| <input type="checkbox"/> | 24 | PLATE - FRONT COVER | 1 | 50000952 |
| <input type="checkbox"/> | 25 | GREASE PAN | 1 | 50000822 - Cntr Grease Hole 50002155 - Side Grease Hole |
| <input type="checkbox"/> | | GREASE CUP - SALE ONLY (Wear & tear item) | 1 | 50001845 |
| <input type="checkbox"/> | 26 | CONTROL KNOB | 4 | 50001328 |
| <input type="checkbox"/> | 27 | CONSOLE | 1 | 50001196 |
| <input checked="" type="checkbox"/> | REF | DESCRIPTION | QTY | PART # |
| <input type="checkbox"/> | | BURNER TUBE with SHORT ELECTRODE | 2 | 50003100 |

Please note
grease pan
hole position



PARTS ORDER FORM

Doc # VC9055A

| | | | | |
|--------------------------|----|---|---|-------------------|
| <input type="checkbox"/> | | BURNER TUBE with LONG ELECTRODE | 2 | 50003133 |
| <input type="checkbox"/> | NS | BURNER REPAIR KIT - to be sent out when the base assembly has rusted through at the point of attachment with the burner. | 1 | 50003457 |
| <input type="checkbox"/> | 29 | SHELF S/S - FRONT LEFT | 1 | 50000986B |
| <input type="checkbox"/> | 30 | BURNER GASKET | 4 | 50000892 |
| <input type="checkbox"/> | 31 | BASE ASSY - NEED MANAGERS APPROVAL | 1 | 50001167 |
| <input type="checkbox"/> | 32 | FLASH TUBE | 1 | 50000879B |
| <input type="checkbox"/> | 33 | COOKING GRIDS (PACK OF 3 ONLY) - Not warrantied against chipping, scratching or rust (must chip to rust). | 1 | 50001226 |
| <input type="checkbox"/> | 34 | HEAT PLATE (ENAMEL) - Not warrantied against chipping, scratching or rust (must chip to rust). | 4 | 50000777 |
| <input type="checkbox"/> | 35 | WARMING RACK (ENAMEL) - Not warrantied against chipping, scratching or rust (must chip to rust). | 1 | 50000802 |
| <input type="checkbox"/> | 36 | LID ASSY REAR - Also send p/n 50000355 . | 1 | 50003514 |
| <input type="checkbox"/> | 37 | LID ASSY FRONT - Also send p/n 50000355 . | 1 | 50001452 |
| <input type="checkbox"/> | | CONSOLE REPAIR KIT - to be sent out to the customer if they complain that the cooking grids are falling into the tub. Attaches to the back of the tub. | 1 | 50003432 |
| <input type="checkbox"/> | | BBQ COVER - SALE ITEM | 1 | VC303-3576 |
| <input type="checkbox"/> | | 29" ROTISSERIE KIT - SALE ITEM | 1 | VC703-1284 |
| <input type="checkbox"/> | | GRIDDLE - replaces one cooking grid. SALE ITEM. | 1 | VCGP1A |

iBuyGrillParts.com

888-634-4289